

# IC150

## PLASMA CLEANER

The IC150 is a compact and user-friendly plasma cleaner that utilizes a high-performance oil-free dry pump to quickly achieve a vacuum pressure of less than 50Pa. The RF power source ionizes the air, enabling the cleaning and activation of sample surfaces. The inductively coupled RF discharge mode significantly reduces the thermal impact and bombardment damage to the samples. It is particularly suitable for cleaning, surface activation, and hydrophilization of TEM samples that are sensitive to temperature or bombardment.

Touchscreen automatic control, plug and play.



**Oil Free**

**RF-ICP Technology  
Gentle Plasma**

**Good Uniformity  
Good Repeatability**

**SuPro Instruments LTD**

Nanshan,

Shenzhen, China

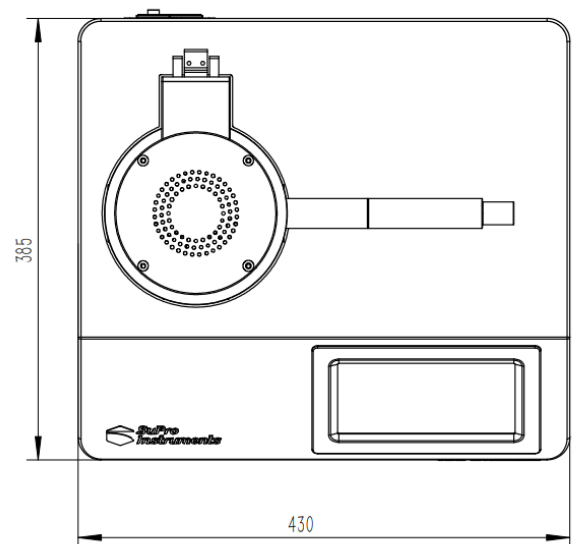
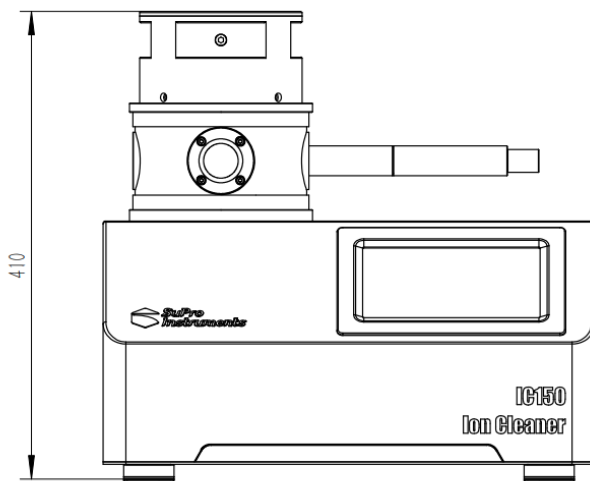
[www.suproinst.com](http://www.suproinst.com)

Tel: 86-755-26642901

Fax: 86-755-26419205

Email: [sales@suproinst.com](mailto:sales@suproinst.com)

Technical Specifications	Parameters
Vacuum Pump	Oil-free Diaphragm Pump
Pumping Speed	>0.7m <sup>3</sup> /h
Ultimate Vacuum	<50 Pa
Working Pressure	60-150Pa
Pumping Down Time	< 2Min
Vacuum Gauge	Pirani gauge
Chamber	~Ø150*90mm Stainless Steel Chamber
RF Power Supply	Adjustable from 10 to 50 W, 13.56 MHz
Operating Method	Touchscreen Control with the Control System Providing Interlock Protection Functions
Weight	~20 kg
Dimension	400mm*310mm*368mm
Power Supply	100-220V AC, 50/60Hz Grounded Three-prong Plug
Power Consumption	< 300 W
Warranty	One year
Remarks	The above-listed technical specifications and parameters are subject to up dates without further notice. Contact us if you have any questions.



Shenzhen SuPro Instruments Co., Ltd

Address: B2009, Ruifeng Entrepreneurship Center, Nanshan District, Shenzhen, Guangdong, China

Telephone: + 86-755-26642901

Fax: + 86-755-26419205

E-mail: sales@suproinst.com

www.suproinst.com