



MINI

ION SPUTTER COATER

The MINI Ion Sputter Coater uses a high-performance rotary vane pump to quickly generate a vacuum pressure below 3 Pa, typically achieved with a pumping time of less than 3 minutes. Utilization of magnetron sputtering technology significantly reduces the thermal impact and bombardment damage of plasma on samples. It is particularly suitable for sputtering gold, platinum, and other noble metal layers on samples for filament Scanning Electron Microscopy (SEM).

Touchscreen automatic control, plug and play.

Magnetron sputtering
Finer Granularity

Rotary-tilting Stage
Uniform Coating

High Efficiency

SuPro Instruments LTD

Nanshan,

Shenzhen, China

www.suproinst.com

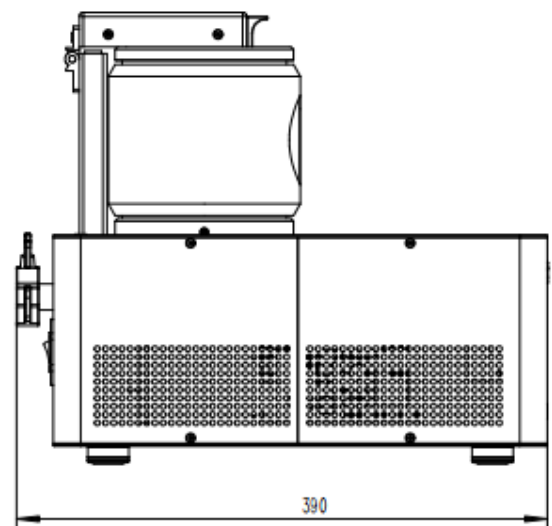
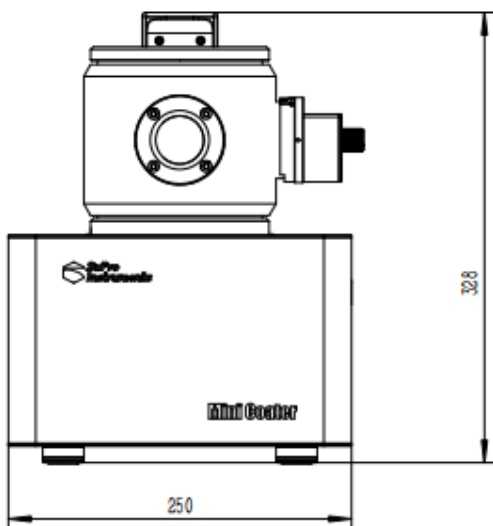
Tel: 86-755-26642901

Fax: 86-755-26419205

Email: sales@suproinst.com



Technical Specifications	Parameters
Vacuum Pump	Rotary Vane Pump
Pumping Speed	$\geq 4\text{m}^3/\text{h}$
Ultimate Vacuum	$< 1\text{Pa}$
Working Pressure	3-10Pa
Pumping Time	$< 3\text{Min}$
Vacuum Gauge	Pirani Vacuum Gauge
Chamber Size	$\sim \text{Ø}120*120$ mm Scratch-resistant Quartz Glass
Sputtering Target	$\text{Ø } 50*0.1\text{-}1\text{mm}$
Sputtering Power	Constant Power Magnetron Sputtering DC Power Supply (Max.20W, Max.100 mA, 0-800V DC)
Operation Mode	Touchscreen Control with the Control System Providing Interlock Protection Functions
Weight	~ 20 kg
Size	250 mm*390 mm*328 mm
Power Supply	100-220V AC, 50/60Hz Grounded Three-prong Plug
Power Consumption	< 500 W
Warranty	One Year
Remarks	The technical specifications and parameters listed above will be updated without prior notice. If you have any questions, please contact us.



Shenzhen SuPro Instruments Co., Ltd

Address: B2009, Ruifeng Entrepreneurship Center, Nanshan District, Shenzhen, Guangdong, China

Telephone: + 86-755-26642901

Fax: + 86-755-26419205

E-mail: sales@suproinst.com

www.suproinst.com